



**PRODUCT INFORMATION** Ne-CPUGitter\_TY\_US - 21.01.2021 - www.vs-furniture.com

## NetWork CPU accessories and stand-at desk.

CPU-holder for attachment of the CPU to the table side.

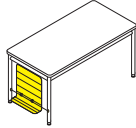
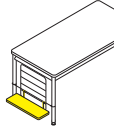
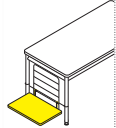
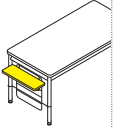
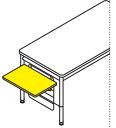
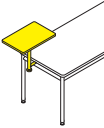
L-shaped grid of powder-coated steel rod. The holder is inserted into the functional gap between table top and frame. Further shelves can be hung onto it. The CPU is secured with a strap and quick-release fastener.

Hanging shelves are of melamine-resin laminated chipboard with glued-on plastic edges and rounded corners. Fitted with a bracket of arctic-colored powder-coated steel rod for hanging onto the CPU-holder and CPU-grid, for the upper and lower positions.

Stand-at desk for insertion into the functional gap between table top and frame. With a swivelable post of powder-coated steel tube as well as a working surface of melamine-resin laminated chipboard.

The following material groups are available to choose from: Frame made of steel tube: M(arctic); Top made of chipboard: L(black).

Further products on this page: LightUp.

								
<b>NetWork</b>		<b>21396</b>	<b>20322</b>	<b>20323</b>	<b>20324</b>	<b>20325</b>	<b>21493</b>	
	w-d		23 $\frac{5}{8}$ "-77 $\frac{5}{8}$ "	23 $\frac{5}{8}$ "-15 $\frac{3}{4}$ "	23 $\frac{5}{8}$ "-77 $\frac{5}{8}$ "	23 $\frac{5}{8}$ "-15 $\frac{3}{4}$ "	23 $\frac{5}{8}$ "-15 $\frac{3}{4}$ "	
		for table height min. 25 $\frac{1}{4}$ " (glide elements) min. 27 $\frac{5}{8}$ " (castors)						
		CPU holder with retaining strap	Hang-in shelf lower		Hang-in shelf upper			
	sq. m							0.37
	h (by table height 28 $\frac{3}{8}$ " )							42 $\frac{1}{2}$